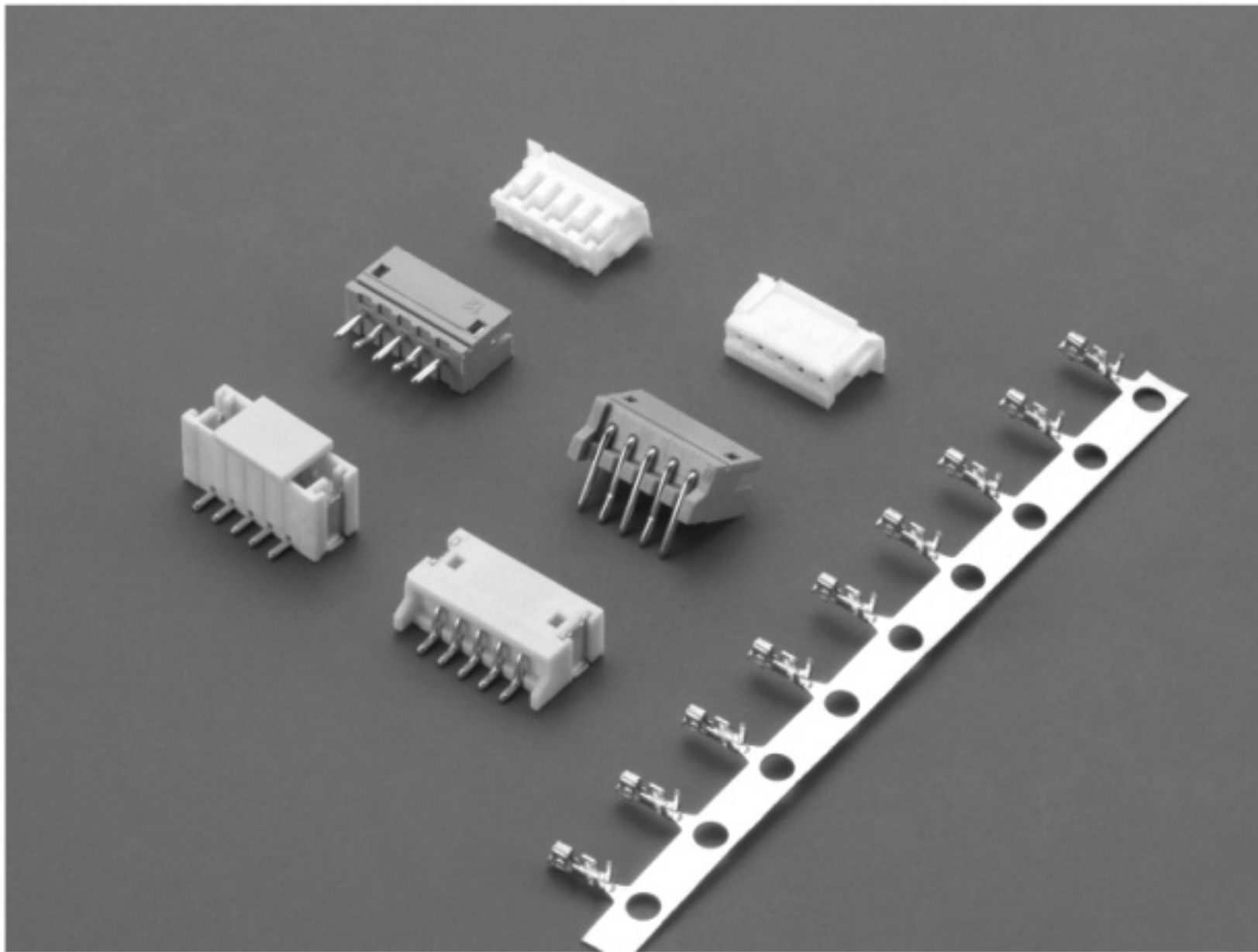


# 1510H SERIES

1.50mm PITCH WIRE TO BOARD CONNECTOR



## Specifications

Current rating: 1A AC,DC

Voltage rating: 100V AC,DC

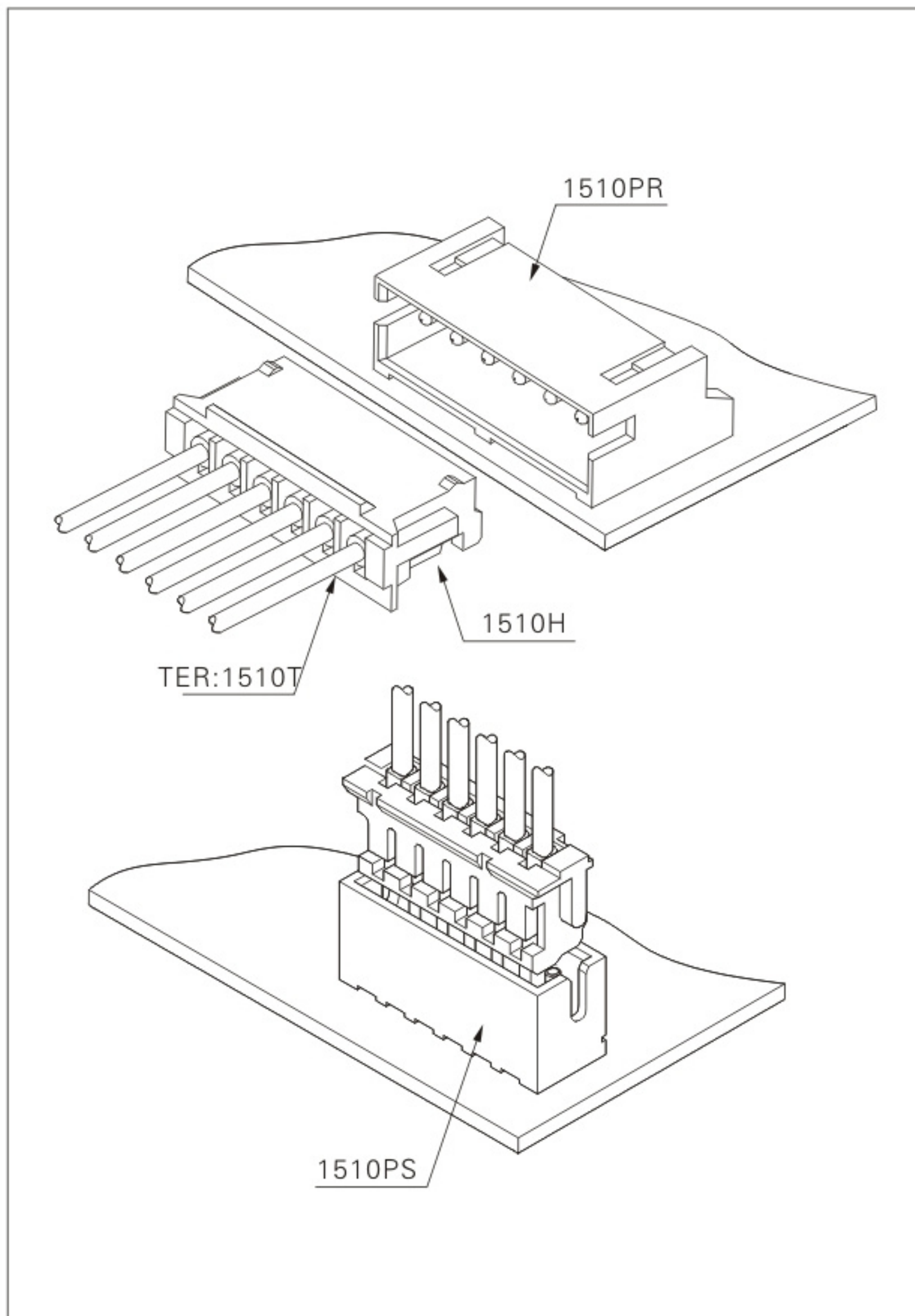
Temperature range: -25°C to +85°C

Contact resistance: Initial value/ 20m  $\Omega$  Max.

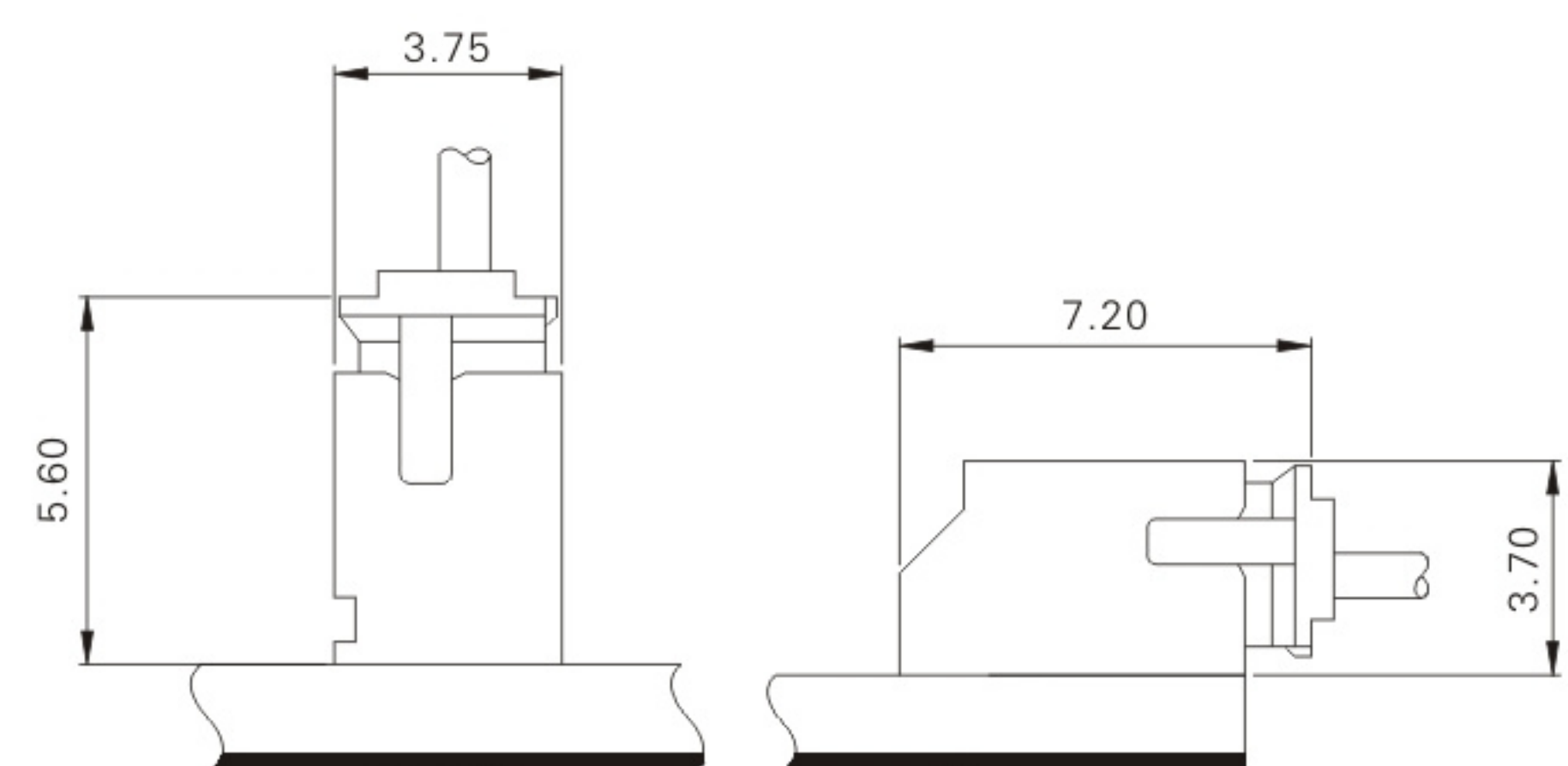
Insulation resistance: 500 M  $\Omega$  Min.

Withstanding voltage: 500V AC/minute

Applicable wire: AWG#26-#28



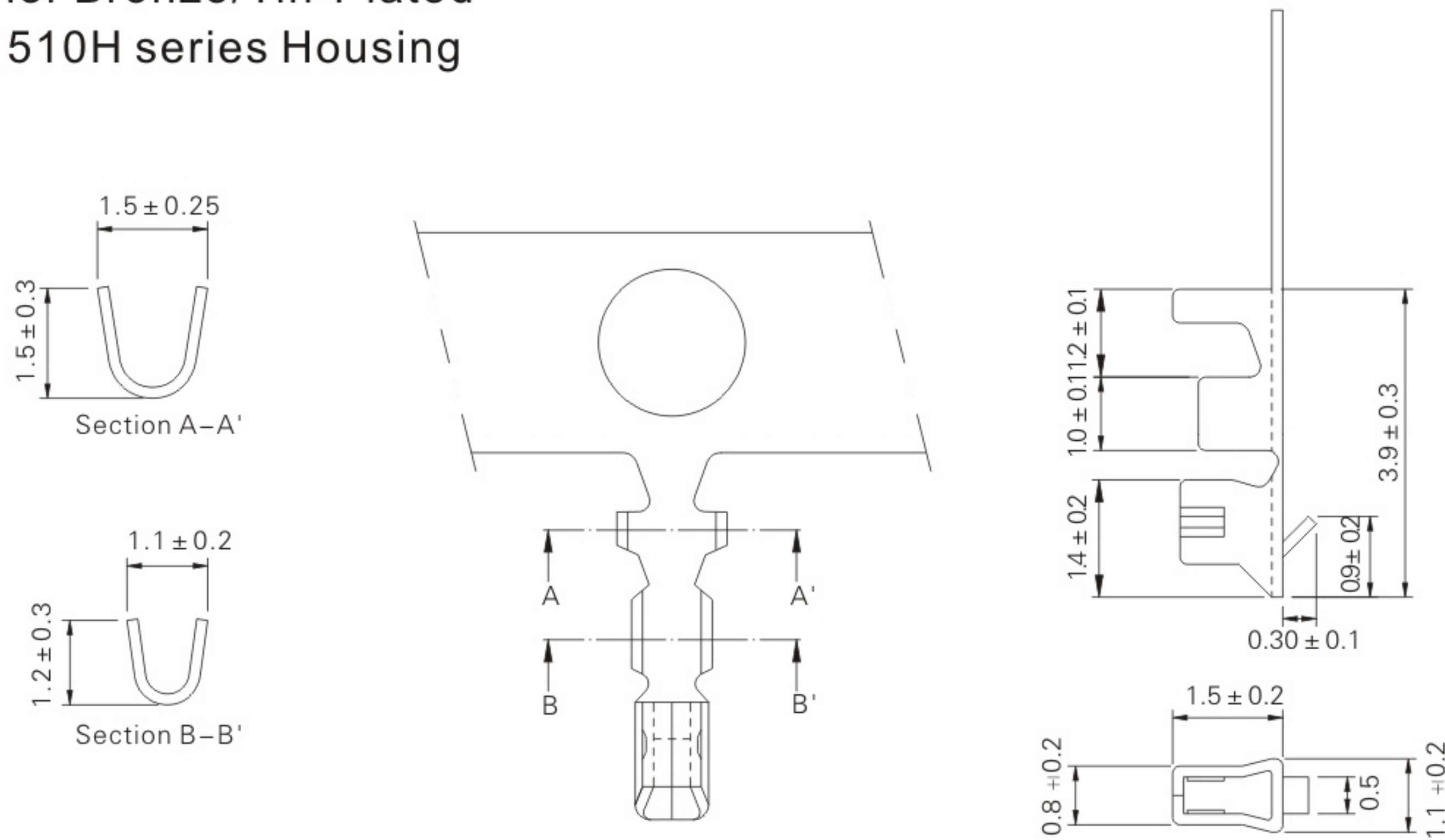
## Assembly layout



# 1510-T (1.50mm pitch crimp terminal)

## Reference Informations:

- \*Thickness: 0.2mm
- \*Mat'l: Phosphor Bronze/Tin-Plated
- \*Mates with: 1510H series Housing



## Ordering Information & Specifications

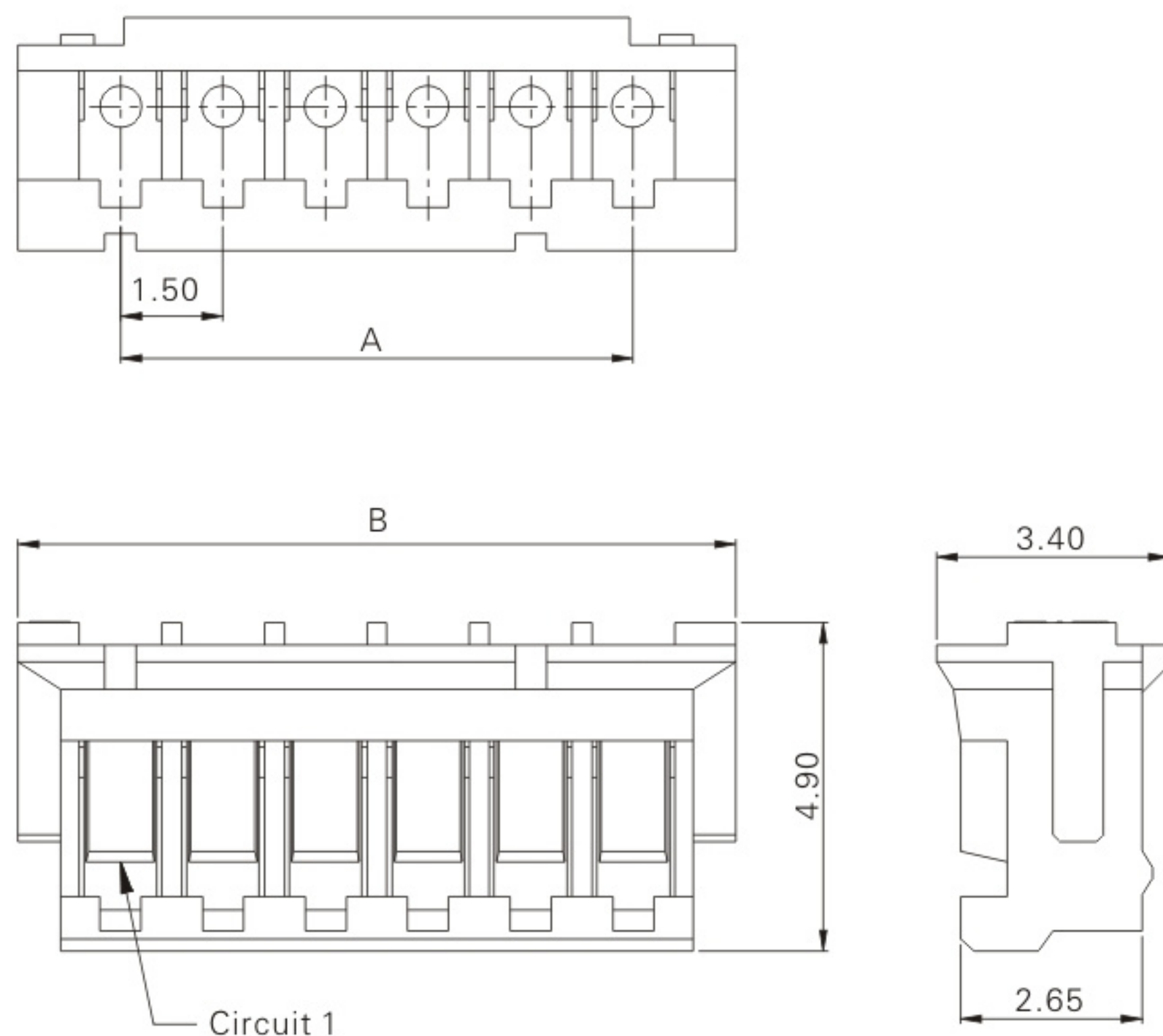
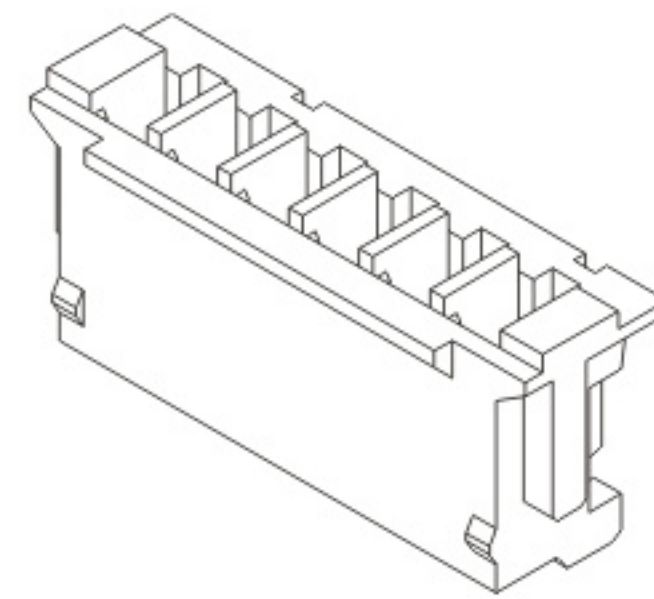
Unit: mm

Part No.	Wire Range	Insulation O.D.	Material	Finish	Qty/reel
1510P	AWG#26-#28	1.40mm(max)	Phosphor Bronze	Tin-plated	15,000pcs

# 1510H-NP (1.50mm pitch crimp housing)

## Reference Informations:

- \*Material: Housing: PA66 UL94V-0/Natural
- \*Suitable 1510-T series Terminal
- \*Mates with 1510PS & 1510PR series Wafer



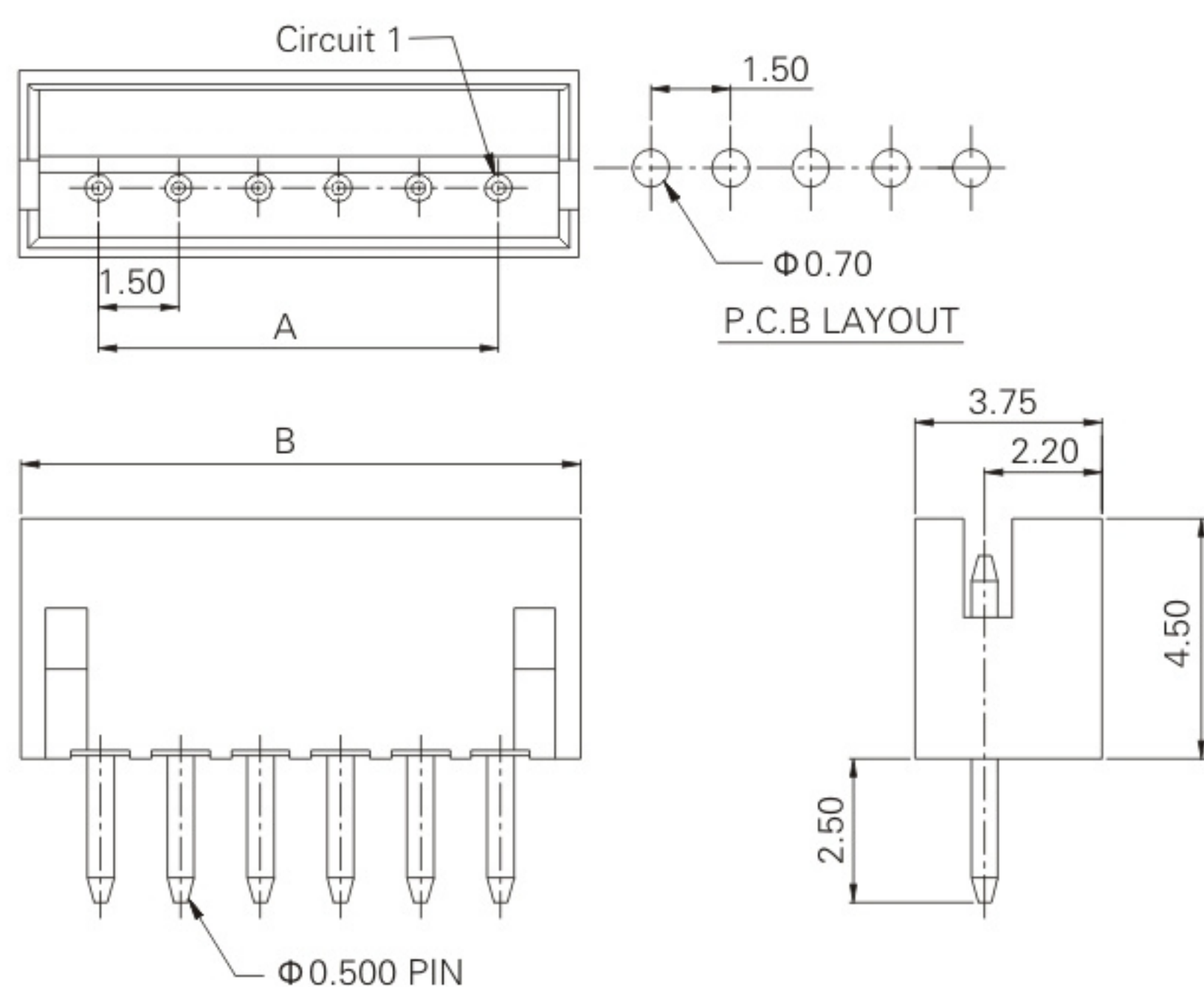
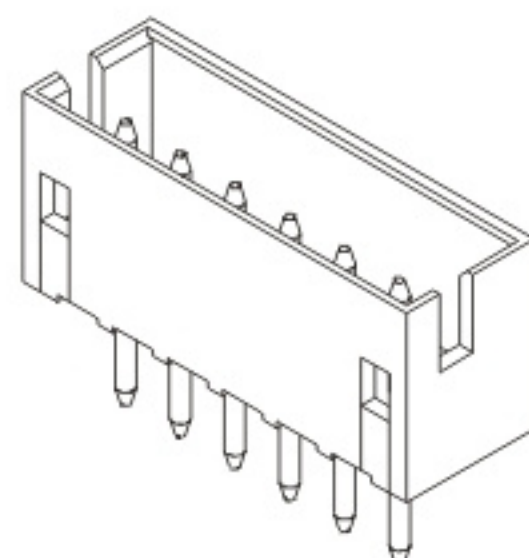
## Ordering Information & Dimensions

Circuits	Part No.	DIM.(mm)	
		A	B
02	1510H-02P	1.50	4.50
03	1510H-03P	3.00	6.00
04	1510H-04P	4.50	7.50
05	1510H-05P	6.00	9.00
06	1510H-06P	7.50	10.50
07	1510H-07P	9.00	12.00
08	1510H-08P	10.50	13.50
09	1510H-09P	12.00	15.00
10	1510H-10P	13.50	16.50
11	1510H-11P	15.00	18.00
12	1510H-12P	16.50	19.50
13	1510H-13P	18.00	21.00

# 1510PS-NP (1.50mm pitch 180° wafer)

## Reference Informations:

- \*Material: Pin:Brass/Tin-plated  
Wafer:PA46, UL94V-0 / Beige
- \*Suitable 1510H series Housing



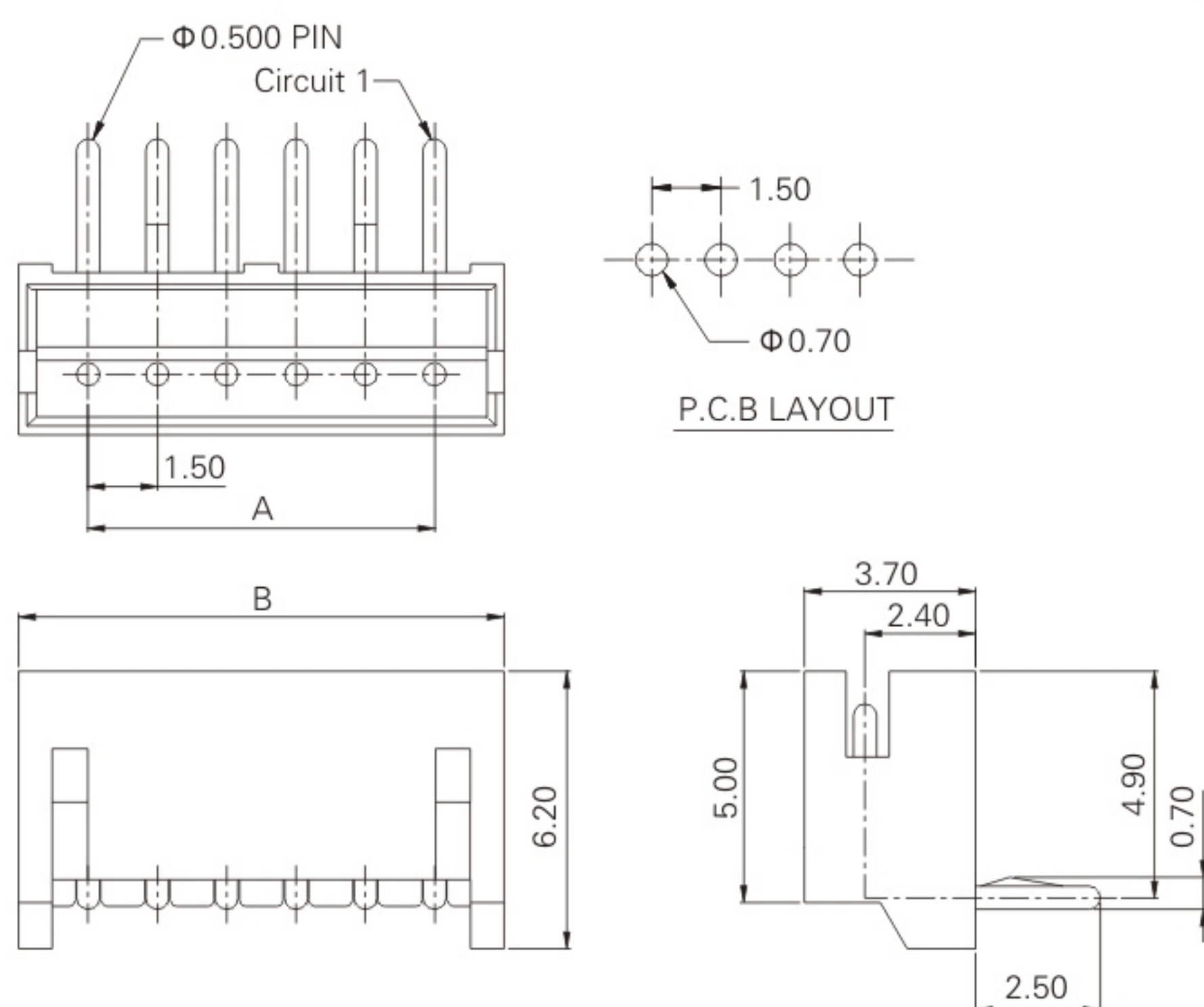
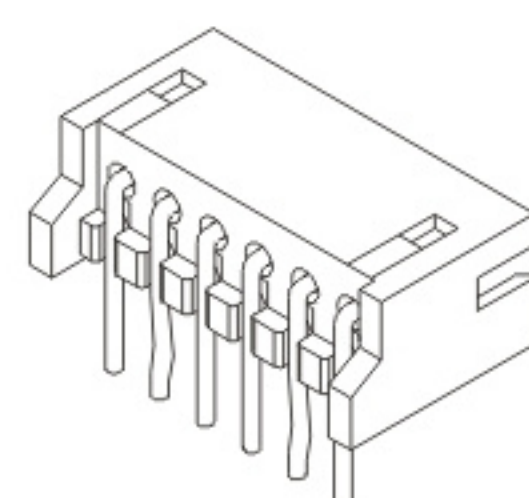
## Ordering Information & Dimensions

Circuits	Part No.	DIM.(mm)	
		A	B
02	1510PS-02P	1.50	4.50
03	1510PS-03P	3.00	6.00
04	1510PS-04P	4.50	7.50
05	1510PS-05P	6.00	9.00
06	1510PS-06P	7.50	10.50
07	1510PS-07P	9.00	12.00
08	1510PS-08P	10.50	13.50
09	1510PS-09P	12.00	15.00
10	1510PS-10P	13.50	16.50
11	1510PS-11P	15.00	18.00
12	1510PS-12P	16.50	19.50
13	1510PS-13P	18.00	21.00

# 1510PR-NP (1.50mm pitch 90° wafer)

## Reference Informations:

- \*Material: Pin:Brass/Tin-plated  
Wafer:PA46, UL94V-0 / Beige
- \*Suitable 1510H series Housing



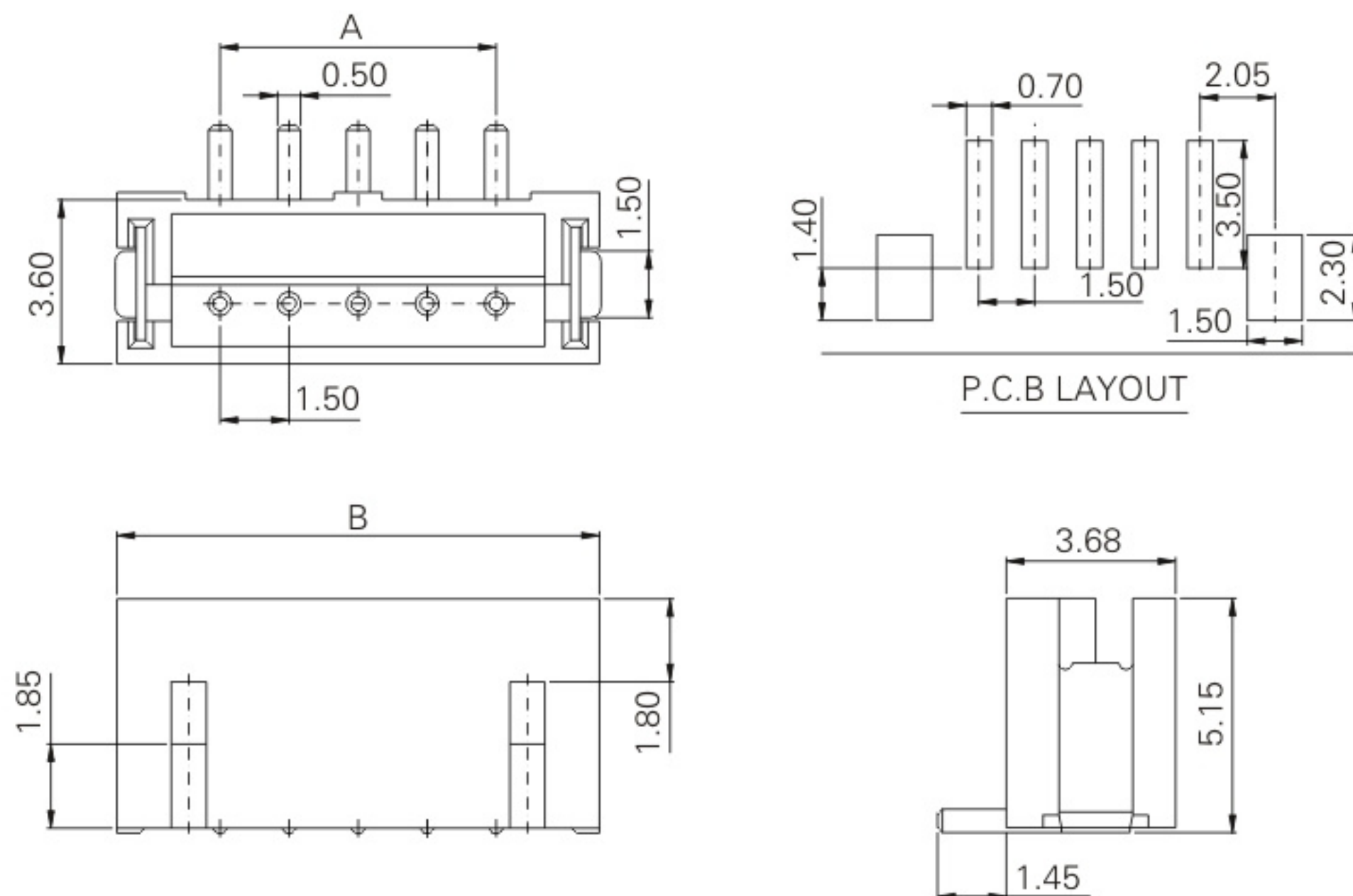
## Ordering Information & Dimensions

Circuits	Part No.	DIM.(mm)	
		A	B
02	1510PR-02P	1.50	4.50
03	1510PR-03P	3.00	6.00
04	1510PR-04P	4.50	7.50
05	1510PR-05P	6.00	9.00
06	1510PR-06P	7.50	10.50
07	1510PR-07P	9.00	12.00
08	1510PR-08P	10.50	13.50
09	1510PR-09P	12.00	15.00
10	1510PR-10P	13.50	16.50
11	1510PR-11P	15.00	18.00
12	1510PR-12P	16.50	19.50
13	1510PR-13P	18.00	21.00

# 1510PS-NP-SMT (1.50mm pitch 180° wafer-SMT TYPE)

## Reference Informations:

- \*Material: Pin:Brass/Tin-plated  
Wafer:PA6T, UL94V-0 / Beige
- \*Suitable 1510H series Housing



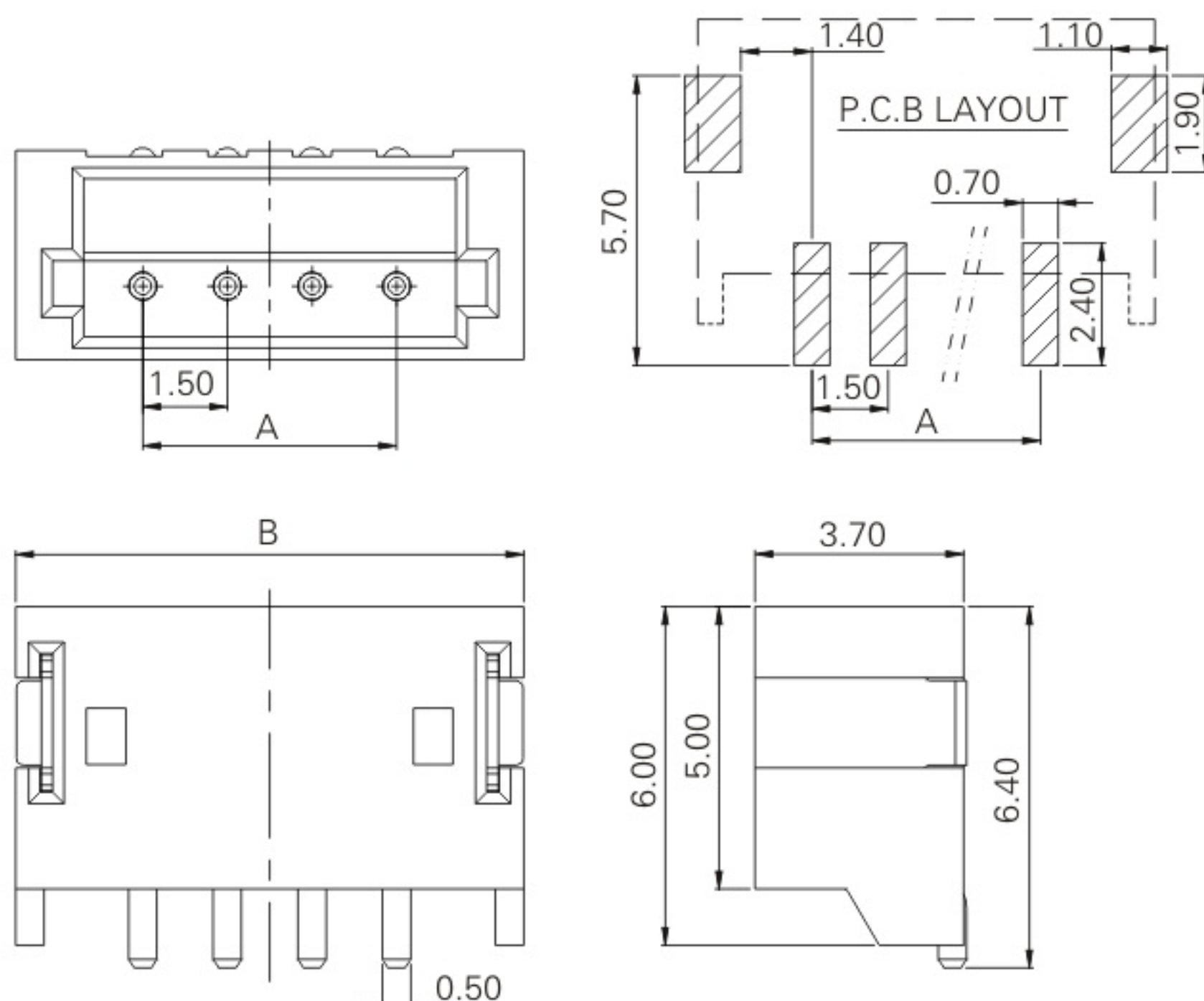
## Ordering Information & Dimensions

Circuits	Part No.	DIM.(mm)	
		A	B
02	1510PS-02P-SMT	1.50	6.00
03	1510PS-03P-SMT	3.00	7.50
04	1510PS-04P-SMT	4.50	9.00
05	1510PS-05P-SMT	6.00	10.50
06	1510PS-06P-SMT	7.50	12.00
07	1510PS-07P-SMT	9.00	13.50
08	1510PS-08P-SMT	10.50	15.00
09	1510PS-09P-SMT	12.00	16.50
10	1510PS-10P-SMT	13.50	18.00
11	1510PS-11P-SMT	15.00	19.50
12	1510PS-12P-SMT	16.50	21.00
13	1510PS-13P-SMT	18.00	22.50

# 1510PR-NP-SMT (1.50mm pitch 90° wafer-SMT TYPE)

## Reference Informations:

- \*Material: Pin:Brass/Tin-plated  
Solder Tabs:Phosphor Bronze/Tin-plated  
Wafer:PA9T, UL94V-0 / Natrual
- \*Suitable 1510H series Housing



## Ordering Information & Dimensions

Circuits	Part No.	DIM.(mm)	
		A	B
02	1510PR-02P-SMT	1.50	6.00
03	1510PR-03P-SMT	3.00	7.50
04	1510PR-04P-SMT	4.50	9.00
05	1510PR-05P-SMT	6.00	10.50
06	1510PR-06P-SMT	7.50	12.00
07	1510PR-07P-SMT	9.00	13.50
08	1510PR-08P-SMT	10.50	15.00
09	1510PR-09P-SMT	12.00	16.50
10	1510PR-10P-SMT	13.50	18.00
11	1510PR-11P-SMT	15.00	19.50
12	1510PR-12P-SMT	16.50	21.00
13	1510PR-13P-SMT	18.00	22.50